

## HD Portable All-Condition Rugged PTZ Camera (IR Version)



PAHC-H2001X-IR  
PAHC-S2003X-IR



### Features

- ※Aluminum PTZ case with high strength;
- ※IP index up to IP67, full weather proof;
- ※Optional damping system;
- ※Powerful aux IR lighting system, range up to 120 meters;
- ※Hidden seamless window wiper with adjustable speed;
- ※New design of drive system, PTZ positioning precision up to  $\pm 0.05^\circ$  ;
- ※Soft camera address, Baud rate, protocol self-adaptive;
- ※Digital Image stabilization (DIS);
- ※Image flip for stand / ceiling mount;
- ※Video freeze;
- ※HD-SDI and CVBS output simultaneously;
- ※Wide Dynamic Range (WDR);
- ※Day / Night (ICR);
- ※10.8 - 28V voltage input;
- ※Auto power-off with low power supply.

### Introduction

PAHC series camera is designed for fixed and mobile video surveillance application, such as marine, law enforcement, army, border patrol, airport, oilfield etc.

### Aux Lighting System

Powerful IR lighting systems. It ensures clear view of completely dark environments.

### Full Aluminum PTZ Case

The case with high strength is full weather proof, suitable for various tough applications such as rugged roads, sea, storm weather etc.

### New Drive Mechanism

The PTZ Camera employs new drive system with high precision and higher holding torque, It does not generate offset during positioning of Pan and Tilt.

### Applications



POLICE/GOVERNMENT



MARINE/SHIPS



ARMY/BORDER PATROL

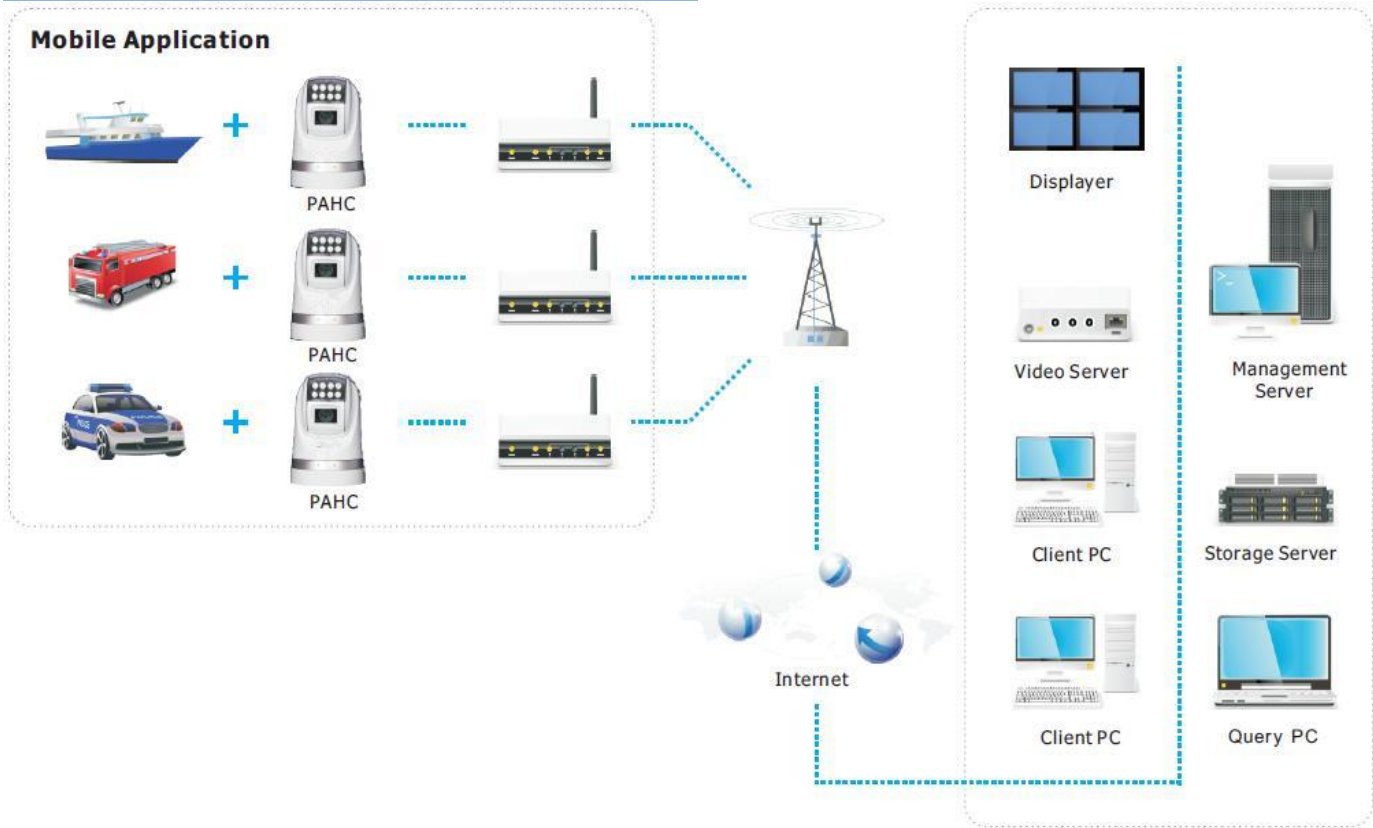


LOGISTICS



FIRE ALARM/RESCUE

# System Diagram



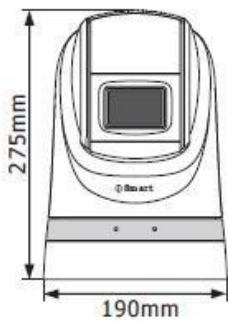
## Comparison Chart



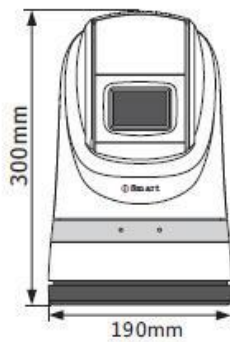
Model	PAHC Series	CAHC Series
IP Index	IP67	IP66
PTZ Case	Aluminum Alloy	ABS, magnesium alloy
Lighting Range	120M	60M
Wiper	Hidden, Speed Adjustable	x
DNR	1-3 Adjustable/Off	x
Damping	Powerful steel Damping	Powerful steel Damping
Defogger	✓	x
PTZ Driving System	Worm and Gear	Tilt: gear; Pan: belt

## Dimensions

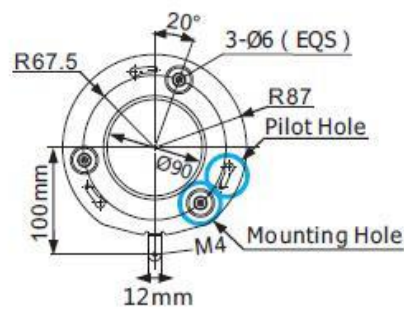
Fixed Mount



Standard



Optional: with Damper



Mounting Plate

## Technical Date

Model No.	PAHC-H2001X-IR	PAHC-H2003X-IR
<b>Camera</b>		
Image Sensor	1/2.8" type solid state Progressive Scan CMOS	1/2.8" SONY EX-View HAD CCD
Effectie Pixel	1920(H) x 1080V)	3.27Megapixel
Video Output	HD:1080p/30,1080p/25,1080i/60,1080i/50,720p/60,720p/50,720p/30,720p/25 SD:PAL/NTSC	
Min Illumination	0.4 Lux ( Lights Off) 0.04 Lux (Lights On)	0.5 Lux ( Lights Off) 0.095 Lux (Lights On)
White Balance	Auto	
Focus	Auto/Manual	
Exposure	Auto / Manual	
S/N Ratio	Not less than 50dB	
BLC	On / Off	
WDR	On / Off	
Image Stabilization	On / Off	
Digital Noise Reduction	1-3 Steps/OFF	1-5 Steps/OFF
Day/Night	Auto / Manual	
Lens	f=4.7mm - 94mm, F1.6 to F3.5	
View Angle	55.2°(wide) to 2.0°(tele)	55.4°(wide) to 2.9°(tele)
Optical Zoom	20X	
Digital Zoom	12X	
<b>PTZ</b>		
Pan Range	360° Continuous	
Pan Speed	0.04° - 90°/s, adjustable	
Tilt Range	-15° - 90°(Auto Flip)	
Tilt Speed	0.3° - 60°/s, adjustable	
Preset Speed	Pan:120°/s; Tilt:90°/s	
Preset	256	
Preset Precision	± 0.05°	
<b>IR Light</b>		
IR Wave Lenth	850nm/940nm	
Range	120m(850nm)/60m(940nm)	
Switch	Auto / Manual	
<b>General</b>		
OSD Language	Chinese/English	
Comm.Interface	RS-485	
Protocol	Pelco-P / Pelco-D(self-adaptive)	
Baud Rate	2400bps,4800pbs,9600bps,19200bps(self-adaptive)	
Address	0 - 255	
Voltage	DC10.8 - 28V	
Power	12W(Standby) 55W (Defogger and lights on)	
Working Temperature	- 45°C - + 65°C	
IP Code	IP67,TVS	
Dimensions	Standard:Φ190(mm) x 275(mm) With Damper:Φ190(mm) 300(mm)	
Weight	Standard:4.9kg Optional:5.65kg(with damper)	

※※※ Product specification are subject to change without notice ※※※

[www.winsafecctv.com](http://www.winsafecctv.com)