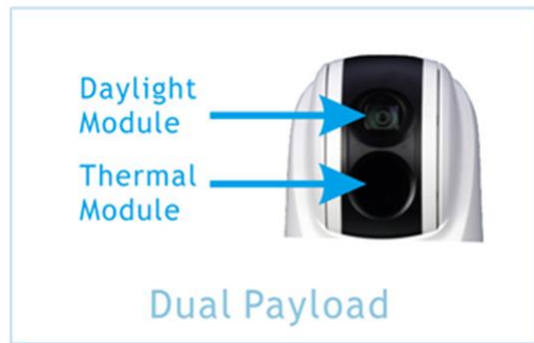
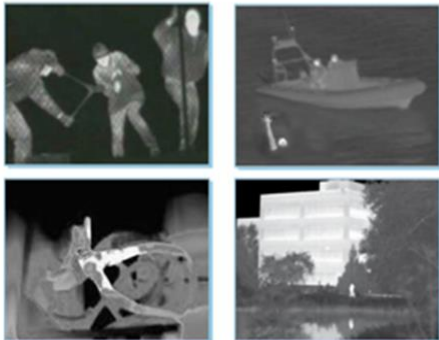


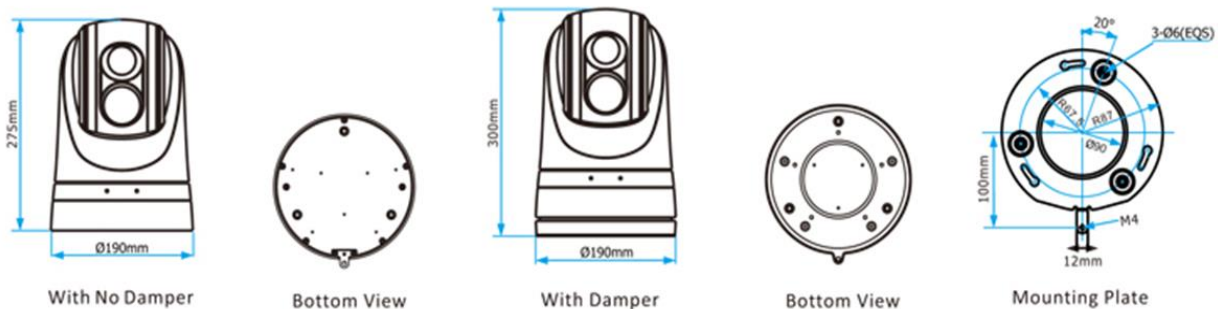


Features

- ※ Up to 640*480 high sensitive thermal imager, 1717μm, NETD 60mK
- ※ Integrated HAD 36X visual zoom module, 550TVL
- ※ Aluminum PTZ case with high strength, full weather proof
- ※ IP index up to IP67
- ※ Built-in defogging device, working temperature range -20°C - 55°C
- ※ 3 video outputs: thermal video, visual video and switch video
- ※ Precise PTZ system with high holding torque, PTZ positioning precision up to +/-0.2°
- ※ Protocol & baud rate self-adaptive, soft address supported
- ※ Optional damping system for tough applications
- ※ Image flip for stand / ceiling mount



Dimensional Drawing



Technical Specification

Model No.	PATC-Z31936	PATC-Z34036	PATC-Z61936	PATC-Z64036
Thermal Imaging Camera				
Sensor Type	Uncooled Amorphous Silicon FPA			
Resolution	384 x 288	384 x 288	640 x 480	640 x 480
Sensor Size	17µm			
Focal	19mm	40mm	19mm	40mm
Focus	Fixed			
Image Frame Rate	50HZ(PAL) / 60HZ(NTSC)			
NETC(300K)	60mK			
FOV	19.5° x 14.7°	9.3° x 7°	32° x 24.2°	15.5° x 11.6°
Detecting Range	Vehicle :2570m; Man: 550m	Vehicle: 5400m Man: 1170m	Vehicle: 2570m Man: 550m	Vehicle: 5400m Man: 1170m
Recognition Range	Vehicle: 640m Man: 130m	Vehicle: 1350m Man: 290m	Vehicle: 640m Man: 130m	Vehicle: 1350m Man: 290m
Digital Zoom	1X, 2X, 4X			
Daylight Imaging Camera				
Video Sensor	1/4" SONY EX-View HAD CCD			
Effective Pixel	PAL: 750(H) x 582(V); NTSC 768(H) x 494(V)			
Resolution	550TVL			
Video System	PAL/NTSC			
Zoom	Optical: 36X; Digital:12X			
Lens	f = 3.4mm - 122.4mm, F16.-F4.5			
View Angle	57.8°(wide) - 1.8°(tele)			
Min.Illumination	Color: 1.4Lux; Mono:0.01Lux			
WB	Auto			
Focus	Auto/Manual			
IRIS	Auto/Manual			
S/N Ratio	Not less than 50dB			
WDR	Yes			
BLC	On/Off			
Image Stabilization	On/Off			
DNR	1 - 5 Step/Off			
Day/Night	Auto/Manual			
PTZ				
Pan Range	360° Continuous			
Pan Speed	Control speed: 0.04° - 90°/s; Preset speed: 120°/s			
Tilt Range	-15° - 90°(Auto Flip)			
Tilt Speed	Control:0.3° - 60°/s, adjustable; Preset Speed: 90°/s			
Preset	256			
Preset Precision	±0.2°			
General				
Video Output	1 Channel Thermal Imaging Video; 1 Channel Visual Video; 1 Channel Switch Video			
Address	0 - 255			
Power Consumption	35W/50W(Heater On)			
Working Temperature	-25°C - +65°C			
Voltage	DC24V			
IP Code	IP67			
Anti-Vibration	Pan 9G, Tilt 15G			
Wind Resistance	180 Km/h			
Dimensions	Standard: Φ190(mm) x 275(mm); With Damper: Φ190(mm) x 300(mm)			
Weight	6kg W/O Damper; 7kg with Damper(Optional)			
*** Product specification are subject to change without notice ***				