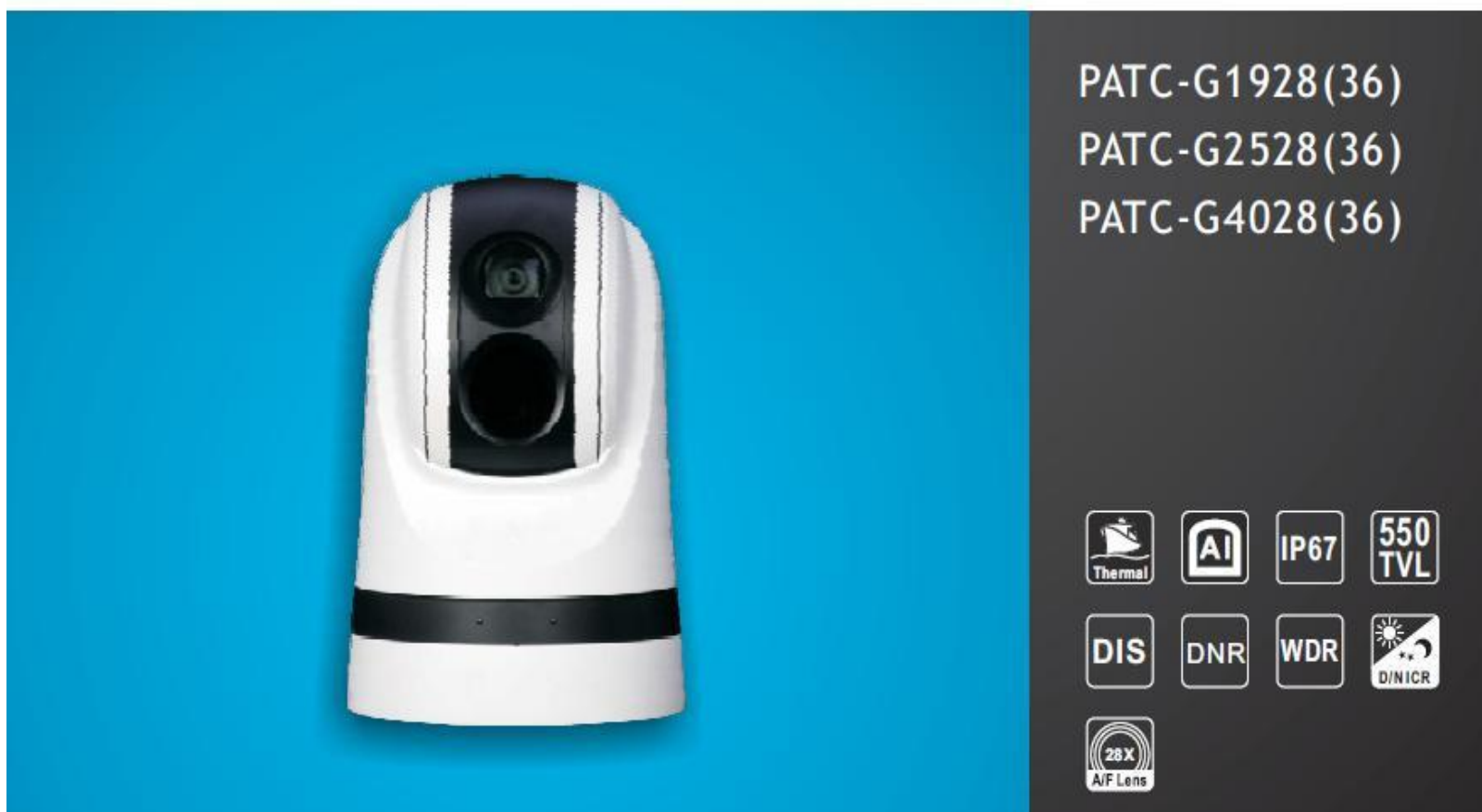


# Portable All-Condition Rugged PTZ Camera

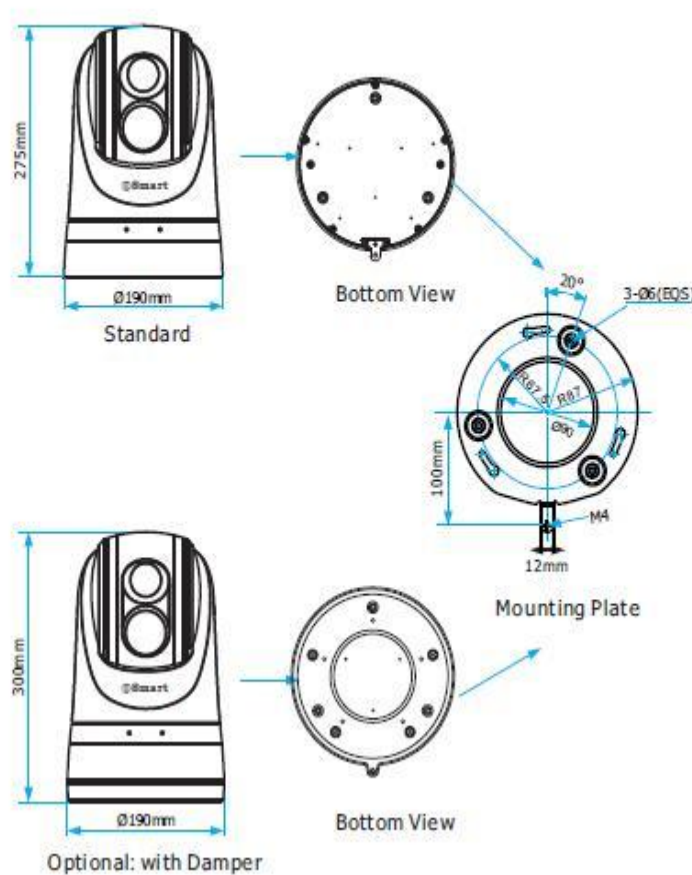
(Thermal Version)



## Features

- ※ 384\*288 high sensitive thermal imager, 19/25/40mm optional;
- ※ Integrated HAD 28X/36 visual zoom module, 550TVL;
- ※ Aluminum PTZ case with high strength, full weather proof;
- ※ IP index up to IP67, built-in surge and lighting strike protection device;
- ※ Built-in integrated defogging device, working temp range -45°C- +55°C;
- ※ 3 video outputs: thermal video, visual video and switch video;
- ※ Precise PTZ system with higher holding torque,  
PTZ positioning precision up to  $\pm 0.05^\circ$ ;
- ※ Protocol & baud rate self-adaptive, soft address supported;
- ※ Optional damping system for tough applications;
- ※ Digital image stabilization;
- ※ Image flip for stand / ceiling mount;
- ※ Video Freeze;
- ※ Wide Dynamic Range(WDR);
- ※ Day/Night(ICR);
- ※ 10.8 - 28V voltae output;
- ※ Auto power-off with low power supply.

## Dimensions



## Specification

Model No.	PATC-G1928(36)	PATC-G2528(36)	PATC-G4028(36)
<b>Thermal Imaging Camera</b>			
<b>Sensor Type</b>	$\alpha$ Si IR microbolometer(No TEC)	Un-cooled $\alpha$ Si	
<b>Resolution</b>	384x288		
<b>Sensor Size</b>	25 $\mu$ m×25 $\mu$ m		
<b>Focal</b>	19mm	25mm	40mm

<b>Focus</b>	Fixed	Electronic	
<b>IRIS</b>	1		
<b>FOV</b>	28.5°x21.5°	21.7°x16.4°	13.7°x10.3°
<b>Detecting Range</b>	1000m(Vehicle)/400m(Man)	1200m(Vehicle)/500m(Man)	2000m(Vehicle)/800m(Man)
<b>Recognition Range</b>	400mm(Vehicle)/200mm(Man)	500mm(Vehicle)/250mm(Man)	800mm(Vehicle)/400mm(Man)
<b>Digital Zoom</b>	1X,2X,4X		
<b>Video Display</b>	White/Black		
<b>Daylight Imaging Camera</b>			
<b>Video Sensor</b>	1/4"SONY EXView HAD CCD		
<b>Effective Pixel</b>	PAL:752(H) x 582(V)/ NTSC:768(H) x 494(V)		
<b>Resolution</b>	550TVL		
<b>Video System</b>	PAL/NTSC		
<b>Optical Zoom</b>	28X		
<b>Digital Zoom</b>	12X		
<b>Lens</b>	f=3.5 mm(wide) to 98 mm(tele)/F1.35 to F3.7		
<b>View Angle</b>	55.8° (wide) to 2.1° (tele)		
<b>Min illumination</b>	Color:0.25Lux; Mono:0.0015Lux		
<b>WB</b>	Auto		
<b>Focus</b>	Auto/Manual		
<b>IRIS</b>	Auto/Manual		
<b>S/N Ratio</b>	Not less than 50dB		
<b>BLC</b>	On/Off		
<b>Image Stabilization</b>	On/Off		
<b>DNR</b>	1-5 Steps/Off		
<b>Day/Night</b>	Auto/Manual		
<b>PTZ</b>			
<b>Pan Range</b>	360° Continuous		
<b>Pan Speed</b>	Control speed: 0.04° -90°/s;Preset speed: 120°/s		
<b>Tilt Range</b>	-15°~90°(Auto Mirror)		
<b>Tilt Speed</b>	Control speed: 0.3° ~60°/s, adjustable; Preset speed:60°/s		
<b>Preset</b>	256		
<b>Preset Precision</b>	±0.05		
<b>PTZ stability</b>	Two Degrees of Freedom gyroscope PTZ stability control system(Optional)		
<b>General</b>			
<b>Video Output</b>	1 Channel Thermal Imaging Video; 1 Channel Zoom Module Video;1 Channel Complex Video;		
<b>Address</b>	0-255		
<b>Power</b>	35W/50W(Heater On)		
<b>Working Temp.</b>	-45°C~ +55°C		
<b>IP Index</b>	IP67		
<b>Anti-Vibration</b>	Pan 9g, Tilt 15g		
<b>Wind Resistance</b>	180km/h		
<b>Dimension</b>	Φ190×300(mm) with damper(optional); Φ190×275(mm) w/o damper		
<b>Weight</b>	6KG w/o damper;7KG with damper(optional)		

\*\*\* Product specification are subject to change without notice \*\*\*

[www.winsafecctv.com](http://www.winsafecctv.com)